

MVK Pro MPNIO DIO8 IOL8 M12L 4P

PROFINET, compact module, metal

Digital inputs/outputs

Ethernet 10/100 Mbit/s; M12, D-coded

IO-Link Master V1.1

M12 Power, 4-pole, L-coded

M12, 5-pole, A-coded

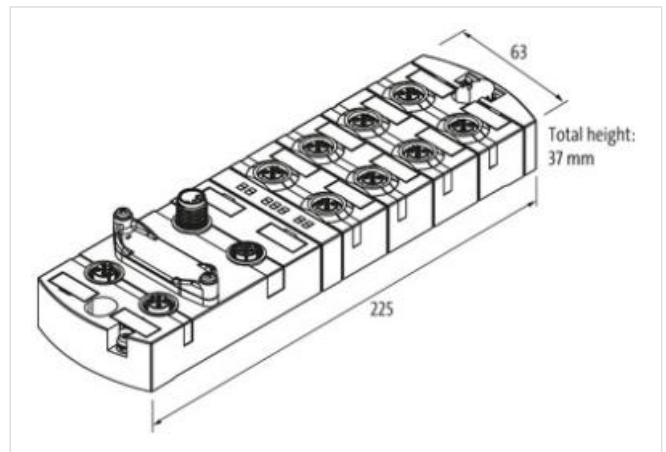
Housing fully potted.

Connection cables are in the online shop under "Connection Technology".

mounting compatible with I/O modules of the MVK series

[Link to Product](#)**Illustration**

Product may differ from Image

**Commercial data**

ECLASS-6.0	27242604
ECLASS-6.1	27242604
ECLASS-7.0	27242604
ECLASS-8.0	27242604
ECLASS-9.0	27242604
ECLASS-10.1	27242604
ECLASS-11.1	27242604
ECLASS-12.0	27242604
ETIM-5.0	EC001597
customs tariff number	85389099
GTIN	4048879859530
Packaging unit	1

Electrical data | Supply

Norm operating voltage	EN 61131-2
Operating voltage US DC	24 V
Operating voltage UA DC	24 V
Total current UA max.	16 A

The information in this Product-PDF has been compiled with the utmost care.

Liability for the correctness completeness and topicality of the information is restricted to gross negligence. Version: 2023-11-28

Murrelektronik GmbH | Office Park 4, 4.OG/Top A.45 | 1300 Wien-Flughafen | Fon +43 1 706 45 25-0 | Fax +43 1 706 45 25-300 | shop@murrelektronik.at | shop.murrelektronik.at

Total current US max.	16 A
-----------------------	------

Electrical data | Input

Overload resistant	yes
Short-circuit protected	yes
Type input	PNP, for 3-wire sensors or mechanical switches, IO-Link Devices
Sensor current US per input max.	2 A
Current carrying capacity max.	10 A

Electrical data | Output

Actuator current UA per output max.	2 A
Overload resistant	yes
Short-circuit protected	yes
Output current per pin max.	2 A
Max. current output per port	4 A
Total current output max.	10 A

Industrial communication

Supported protocol	PROFINET
Web interface	yes

Industrial communication | Profinet

Number of active connections (IO controller) max.	2
IRT (network communication)	yes
PROFINET Netload Class	III
PROFINET addressing	DCP
PROFINET conformance class	C
PROFINET specification	V2.3
Shared device/input	yes

Industrial communication | IO-Link

Automatic baudrate detection	yes
IO-Link process data length output	32 Bytes
IO-Link process data length input	32 Bytes
IO-Link revision ID	V1.1
IO-Link type	8x Master
IO-Link transmission rate	COM1, COM2, COM3
Port Class	A, B

Industrial communication | IIoT functions

Number of sessions / clients OPC UA max.	5
JSON integration	REST-API, MQTT
OPC UA transport	UA TCP, UA Secure Conversation, UA Binary Encoding
Voltage monitoring	yes
Current Monitoring	yes
Publishing interval OPC UA min.	100 ms

Diagnostics

Actuator warning	per channel via LED and BUS
Diagnostic via BUS	per module and channel
Diagnostic via LED	per module and channel
IO-Link events	No voltage, Undervoltage supply
Short circuit diagnosis	yes
LED display	Ethernet connection/data traffic
Cable break	per port
Temperature control	yes
Overload diagnosis	yes

Device protection | Electrical

Degree of protection (EN IEC 60529) IP67

Mechanical data | Mounting data

Suitable for mounting type 2-hole screw mounting

Height 42 mm

Width 63 mm

Depth 225 mm

Environmental characteristics | Climatic

Operating temperature min. -25 °C

Operating temperature max. 70 °C

Storage temperature min. -40 °C

Storage temperature max. 80 °C

Connection type 4

Connection type 1 X0-X7

Connection type 2 XD1

Connection type 3 XD2

Connection type 4 XF1, XF2

Family construction form M12

Gender female

Color contact carrier gray

Coding A

No. of poles 5

PIN 1 24 V DC

PIN 2 DI / DO

PIN 3 0 V

PIN 4 DI / DO / IO-Link

PIN 5 0 V

Family construction form M12

Gender male

Color contact carrier black

Coding L

No. of poles 5

PIN 1 24 V DC (US)

PIN 2 0 V

PIN 3 0 V

PIN 4 24 V DC (UA)

PIN 5 n.c.

Family construction form M12

Gender female

Color contact carrier black

Coding L

No. of poles 4

PIN 1 24 V DC (US)

PIN 2 0 V

PIN 3 0 V

PIN 4 24 V DC (UA)

Family construction form M12

Gender female

Color contact carrier green

Coding D

No. of poles 4

PIN 1 TD +

PIN 2 RD +

PIN 3

TD -

PIN 4

RD -