

SOLID67 IOL8 30mm M12L 5P

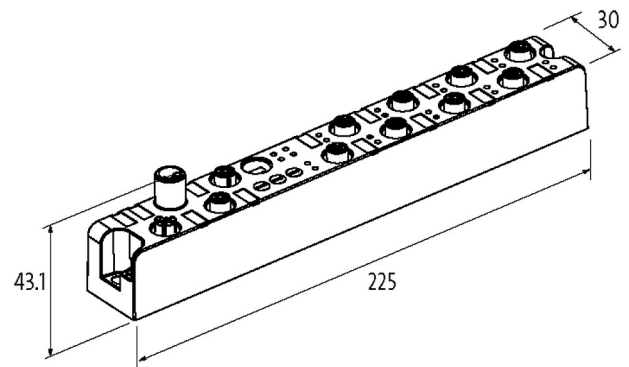
SOLID67 Multiprotocol Profinet or EthernetIP

IOL8

M12 Power, 5-pole, L-coded

30 mm

Connection cables are in the online shop under "Connection Technology". Housing fully potted.

[Link to Product](#)**Illustration**

Product may differ from Image

Approvals**More Info**

EtherNet/IP

**Input**

Sensor supply US 24 V DC (EN 61131-2), max. 500 mA (M12 female), short-circuit and overload protected

Type for 3-wire sensors or mechanical switches, PNP, IO-Link Devices

Connections

Fieldbus Ethernet 10/100 Mbit/s; M12, D-coded

Sensor-system/actuator supply M12 Power, 5-pole, L-coded

I/O ports M12, 5-pole, A-coded

General data

Protection	IP67
Mounting method	2-hole screw mounting
Dimensions H×W×D	43.1×30×225 mm
Temperature range	-20...+70 °C

IO-Link

IO-Link	8× Master
Operating modes	COM1; COM2; COM3 (automatic)
Transfer parameters	32 Input byte and/or 32 Output byte (per IO-Link port)
Port Class	4× A (port X1...X4), 4× B (port X5...X8, galvanically separated, PIN 2 max. 4 A, max. 4 A per module)
Specification	IO-Link Master V1.1

EtherNet/IP

Addressing	DHCP, BOOTP or IP address by rotary switch
DLR (Device Level Ring)	yes

PROFINET

Addressing	DCP
Shared Device/Input	yes, for 2 controls
PROFINET Netload Class	II
Specification	V2.3, Conformance Class C (IRT)
MRP	yes

Output

Actuator supply UA	24 V DC (EN 61131-2), max. 9 A
Switching current per output	max. 0.5 A (PIN 4, X1...X8), short-circuit and overload protected

Parameterization

PIN 4	Input (port X1...X8); Output (port X1...X8); IO-Link Master (port X1...X8)
PIN 2	Input (port X1...X4)

Diagnostic

Communication status	via LED
Diagnostic via LED	per module and channel
Diagnostic via BUS	per module and channel
Monitoring - under voltage	yes
Monitoring - no voltage	yes
Short-circuit and overload	yes
Actuator warning	via LED and BUS
Cable break	per port

Commercial data

country of origin	DE
customs tariff number	85389099
EAN	4048879727693
eClass	27242604
Packaging unit	1