

UFL 50 L PLUG FOR SIGNAL TRANSFER

24 VDC / 1 A - male with LED

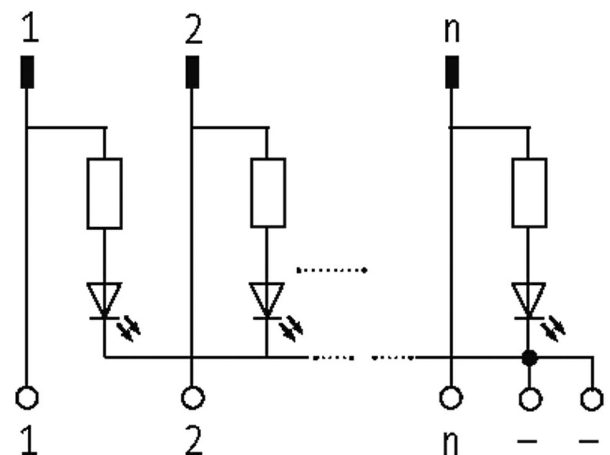
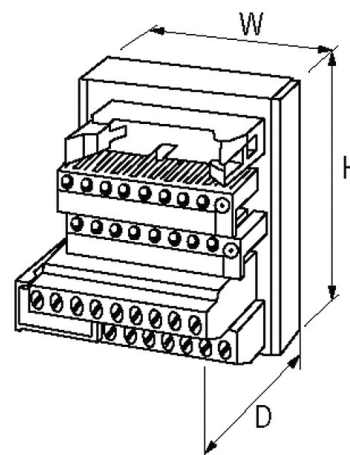
Ribbon cable connector + LED

50-pole

Via the combined fixing mechanism, connectors with or without strain relief can be connected.

[Link to Product](#)

Illustration



Product may differ from Image

Technical Data

The information in this brochure has been compiled with the utmost care.

Liability for the correctness completeness and topicality of the information is restricted to gross negligence. Version: 01/21

Murrelektronik GmbH | Concorde Business Park D2/11 | 2320 Schwechat | Fon +43 1 706 45 25-0 | Fax +43 1 706 45 25-300 | shop@murrelektronik.at | shop.murrelektronik.at

Operating voltage	24 V AC
Operating current per bit	max. 1 A
Material group	EN 60664-1 over voltage, category II
LED display	LED (red) Ø3 mm per pole, acc. to potential -
Plug connector	for plugs with or without strain relief (DIN 41651); for plugs with strain relief, it may be necessary to remove the bottom hook

General data

Mounting method	DIN-rail mountable (EN 60715)
Temperature range	-20...+70 °C
Dimensions H×W×D	63×140×48 mm

Commercial data

country of origin	CZ
customs tariff number	85366990
EAN	4048879026567
eClass	27141120
Packaging unit	1