

## **MOTOR SUPPRESSOR**

Varistor, 3x690VAC/20kW

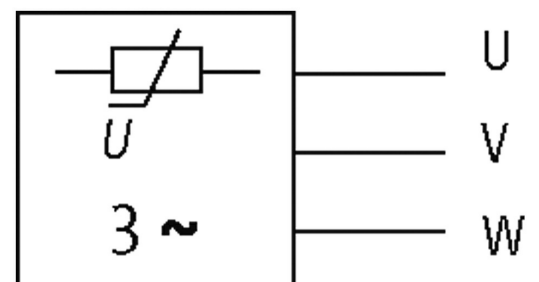
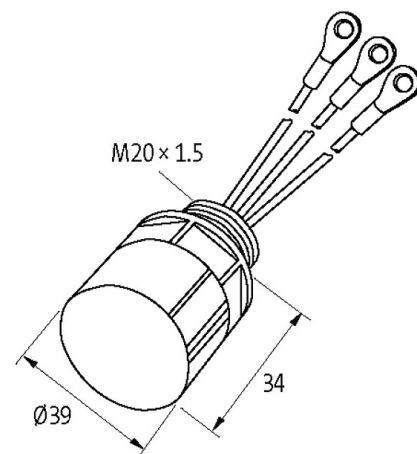
3× 690 V AC

VDR

Suppressors for other voltages, frequencies, and motor ratings available on request. Do not use RC motor suppressors with frequency inverters.

### [Link to Product](#)

Illustration



VDR

Product may differ from Image

#### Technical Data

|                  |   |
|------------------|---|
| Material         | Flame retardant plastic acc. to (UL 94) |
| Potting compound | 2-component epoxy                       |
| Ring terminals   | isolated M6                             |
| Frequency        | 10...400 Hz                             |

#### General data

|            |  |
|------------|--|
| Connection | approx. 150 mm, single cores 1 mm <sup>2</sup> |
|------------|--|

The information in this brochure has been compiled with the utmost care.

Liability for the correctness completeness and topicality of the information is restricted to gross negligence. Version: 01/21

Murrelektronik GmbH | Concorde Business Park D2/11 | 2320 Schwechat | Fon +43 1 706 45 25-0 | Fax +43 1 706 45 25-300 | shop@murrelektronik.at | shop.murrelektronik.at

|                 |   |
|-----------------|---|
| Mounting method | on motor terminal box with plug connector |
|-----------------|---|

|                   |              |
|-------------------|--------------|
| Temperature range | -20...+60 °C |
|-------------------|--------------|

|                  |             |
|------------------|-------------|
| Dimensions H×W×D | 39×39×44 mm |
|------------------|-------------|

**Commercial data**

|                   |    |
|-------------------|----|
| country of origin | CZ |
|-------------------|----|

|                       |          |
|-----------------------|----------|
| customs tariff number | 85363010 |
|-----------------------|----------|

|     |               |
|-----|---------------|
| EAN | 4048879019064 |
|-----|---------------|

|        |          |
|--------|----------|
| eClass | 27371013 |
|--------|----------|

|                |   |
|----------------|---|
| Packaging unit | 1 |
|----------------|---|