

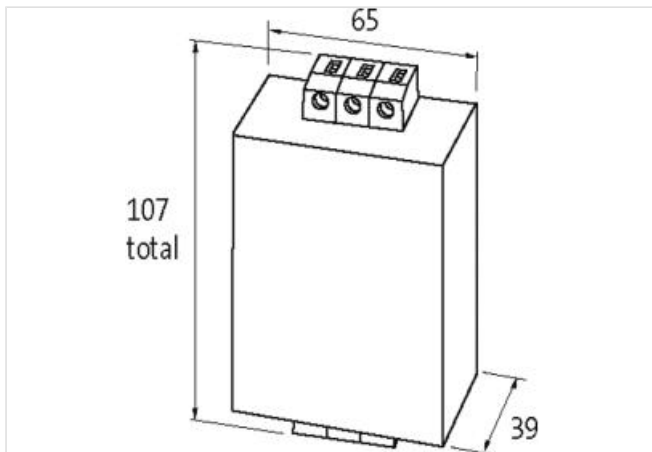
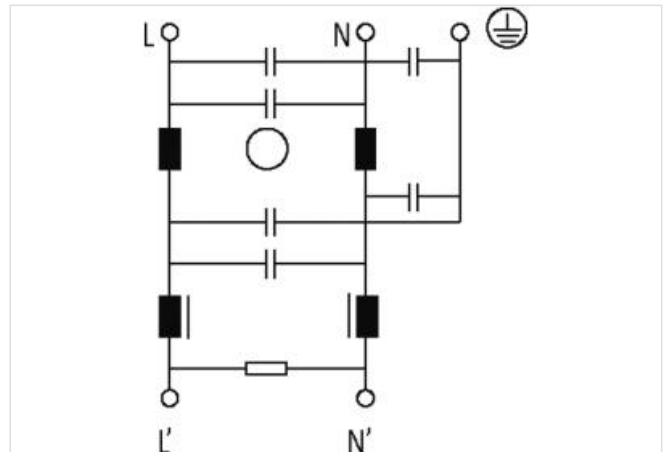
## MEF EMC-FILTER 1-PHASE 2-STAGE

I:16A U:250 VAC/300 VDC snap on

Current: 16 A  
 DIN-rail mountable  
 Attenuation curves on request.  
 against symmetrical interferences

### [Link to Product](#)

#### Illustration



Product may differ from Image



#### Technical Data

Operating voltage	max. 250 V AC/300 V DC
Connection cross section	0.2...6 mm <sup>2</sup> single core (AWG 24...9); 0.2...4 mm <sup>2</sup> multiple core (AWG 24...11)
Operating frequency	50...60 Hz
Overload current	18× (IN t) max. 0.5 ms; 1.5× (IN t) max. 1 min. (1× per hour)
Consumption	max. 5 mA (250 V AC)

#### General data

The information in this brochure has been compiled with the utmost care.  
 Liability for the correctness completeness and topicality of the information is restricted to gross negligence. Version: 2023-03-24

Mounting method	DIN-rail mountable TH35 (EN 60715)
Test isolation voltage	2.7 kV (L - N), 2 s; 2.1 kV (L - L), 2 s (EN 60939-2)
Climatic category	25/085/21 (EN 60068-1)
Connection	Screw connection, touch protected
Dimensions H×W×D	107×65×39 mm

**Description**

Application	symmetrical interferences: units with high repetitions of the switching processes, - switch mode P.S.U.s, - phase angle controller, - supply of universal motors, - behind transformers
Functional description	The single phase 2-stage EMC filters MEF 1/2 are used in the range 0.1...30 MHz to suppress cable carried interference on mains and control cables. The best filter performance is achieved by using short connection wires (suggestion: earth connection < 10
Product article number of manufacturer	10466