

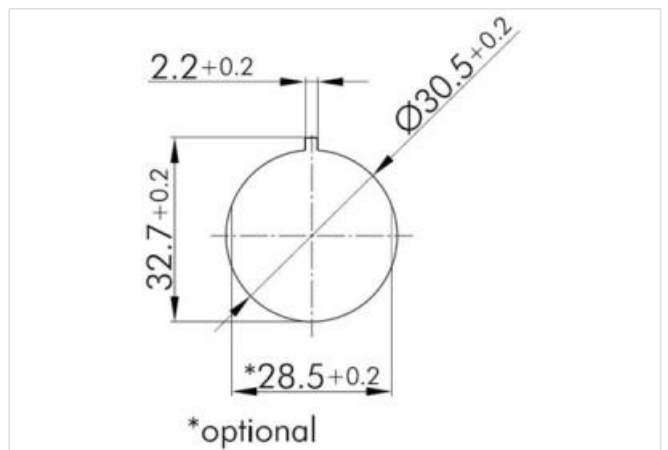
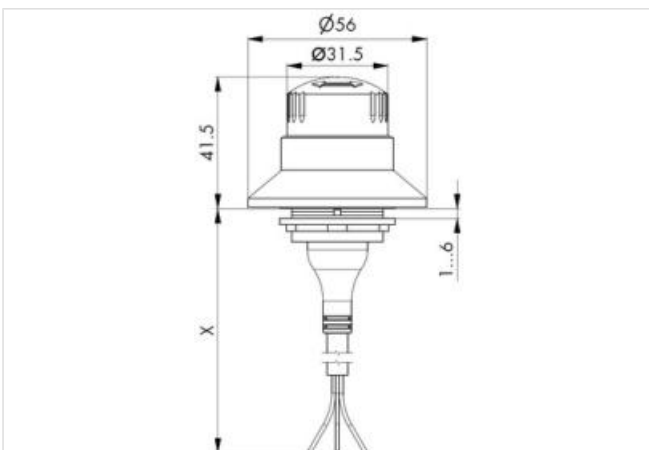
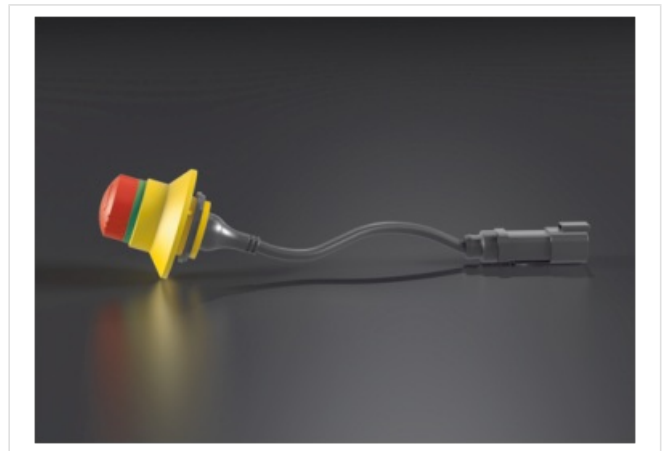
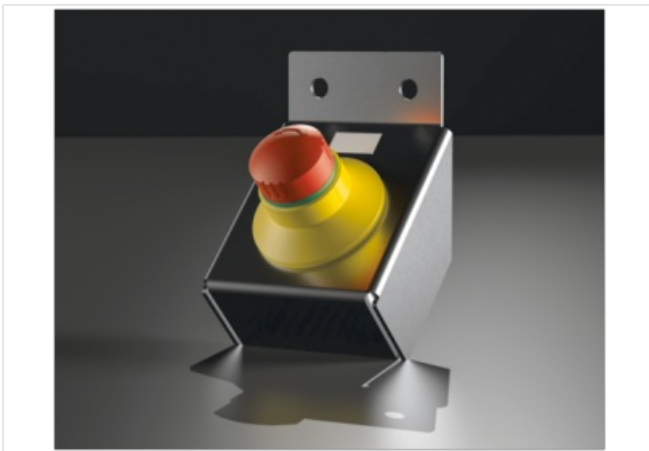
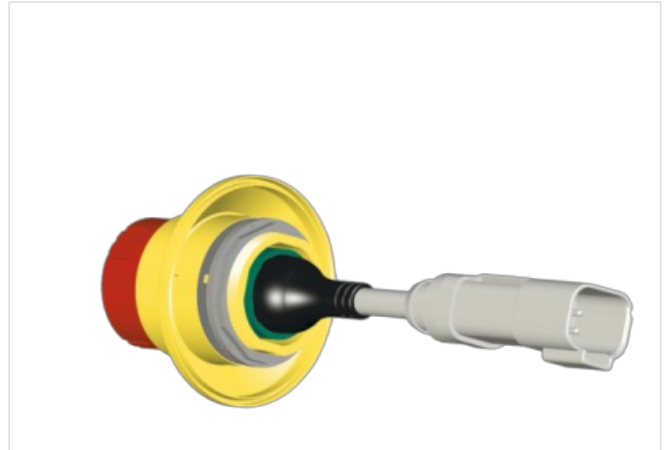
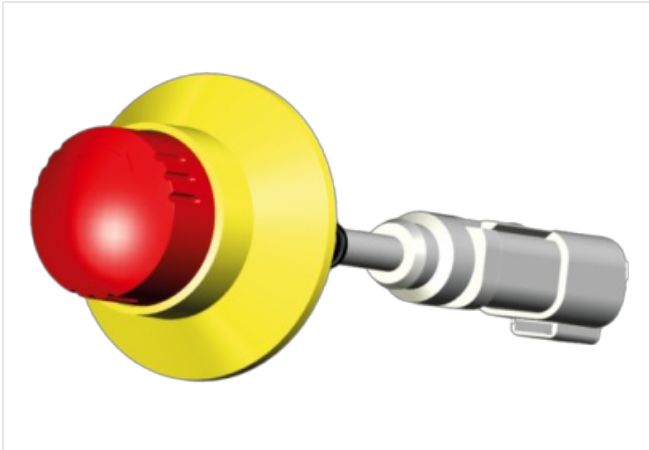
## Data Panel - Emergency stop button, 30.5 mm, DT connection cable (0.5 m)

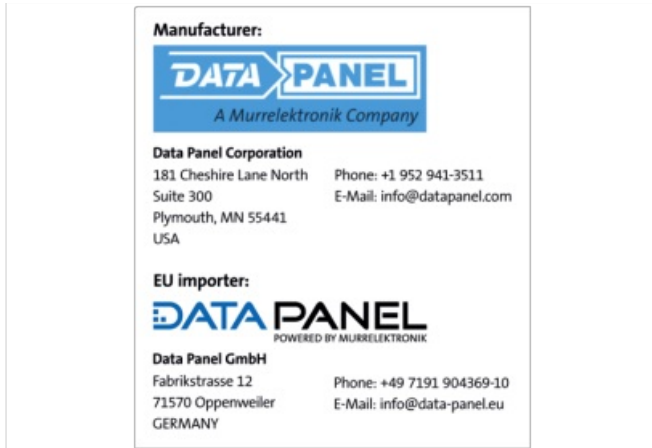
Connection: DT-4

Emergency stop button, integrated connection cable with MDC socket with pin contacts, mounting hole 30,5 mm

### [Link to Product](#)

#### Illustration





Product may differ from Image

**Commercial data**

customs tariff number	85365080
GTIN	89336774212
Packaging unit	1