

Mini (7/8) 3 pole, Male (Ext.) Straight/Female Straight,

TPE, TC-ER+FT4, 3x16AWG, yellow, 1.5m

Male straight – female straight

7/8" – 7/8", 3-pole

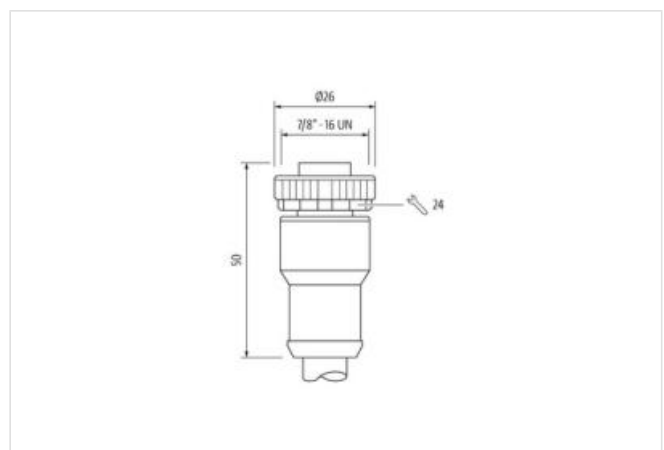
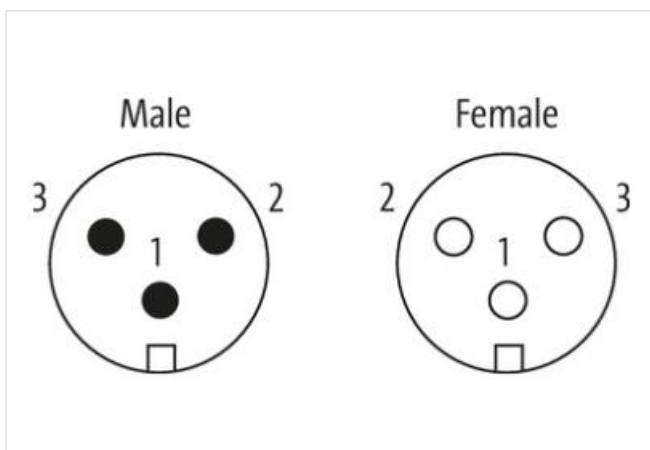
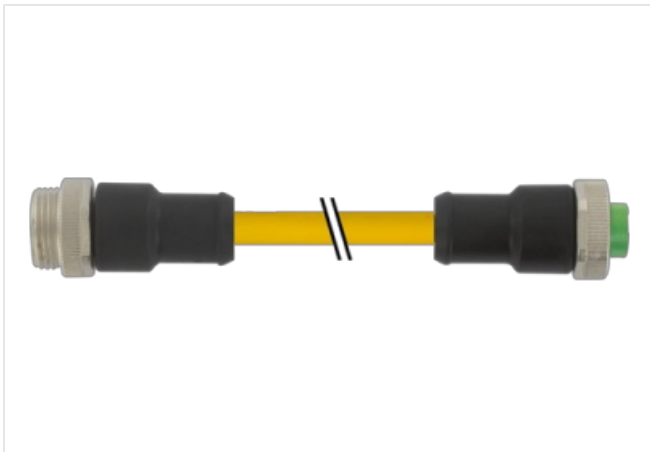
Power cable

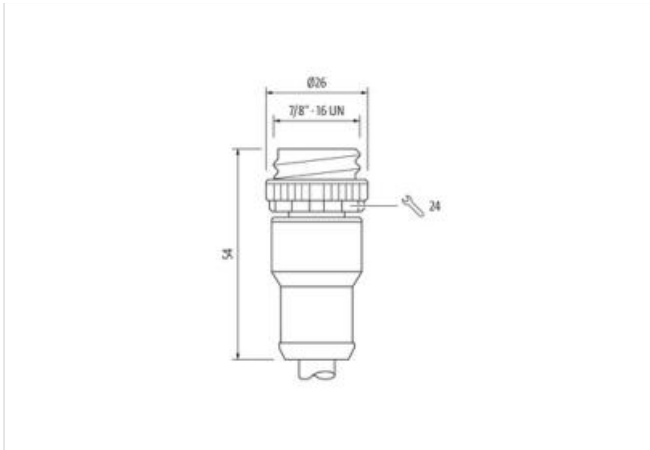
USA

Further cable lengths on request.

Plastic housings with good resistance against chemicals and oils.

The resistance to aggressive media should be individually tested for your application. Further details on request.

[Link to Product](#)**Illustration**



Product may differ from Image



| | |
|--------------|-------|
| Cable length | 1,5 m |
|--------------|-------|

Side 1

| | |
|--------------------------|--------|
| Tightening torque | 1,5 Nm |
| Family construction form | 7/8" |
| Thread | 7/8" |
| Width across flats | SW24 |

Side 2

| | |
|-------------------|--------|
| Tightening torque | 1,5 Nm |
| Thread | 7/8" |

Commercial data

| | |
|-----------------------|---------------|
| ECLASS-6.0 | 27279218 |
| ECLASS-7.0 | 27279218 |
| ECLASS-8.0 | 27279218 |
| ECLASS-9.0 | 27060311 |
| ECLASS-10.1 | 27060311 |
| ECLASS-11.1 | 27060311 |
| ECLASS-12.0 | 27060327 |
| ETIM-5.0 | EC001855 |
| customs tariff number | 85444290 |
| GTIN | 4048879632911 |
| Packaging unit | 1 |

Electrical data | Supply

| | |
|------------------------------------|-------|
| Operating voltage AC max. | 600 V |
| Operating voltage DC max. | 600 V |
| Current operating per contact max. | 12 A |

Device protection | Electrical

| | |
|--|-------------------|
| Degree of protection (EN IEC 60529) | IP68 |
| Additional condition protection degree | inserted, screwed |

Mechanical data | Material data

| | |
|------------------|----------|
| Coating locking | Nickeled |
| Material housing | PUR |

Locking material Zinc die-casting

Mechanical data | Mounting data

Mounting method inserted, screwed, Shaking protection

Environmental characteristics | Climatic

Operating temperature min. -25 °C

Operating temperature max. 80 °C

Additional condition temperature range depending on cable quality

Important installation notes

Note on strain relief Protect the connectors by suitable measures from mechanical loads, e.g. by the usage of cable ties.

Note on bending radius **Attention:** Observe the permissible bending radii when laying cables, as the IP protection class can be endangered by excessive bending forces.

Installation | Cable

wire arrangement black, green, white

Cable identification U1B

Jacket Color yellow

Type of Certificate cURus

Amount stranding 1

Stranding 3 wires with 3 Filler twisted

Banding Nylon film 25% overlap 100% coverage

Filler yes

wire arrangement black, green, white

Cable weighth 115,5 g/m

Material jacket TPE

Freedom from ingredients (jacket) lead-free, CFC-free, halogen-free

Outer-diameter (jacket) 8,38 mm

Tolerance outer diameter (sheath) ± 5 %

Material wire insulation PVC

Amount wires 3

Outer diameter insulation 2,62 mm

Outer diameter tolerance core insulation ± 5 %

Ingredient freeness wire insulation lead-free, CFC-free

Amount strands (wire) 65

Diameter of single wires 34 AWG

Conductor crossection (wire) 16 AWG

Material conductor wire Stranded copper wire, bare

Nominal voltage AC max. 600 V

Current load capacity (standard) according to NFPA-70 (NEC) : 400.5(A) (1-3)

Current load capacity min. wire 10 A

Electrical resistance line constant wire 13,2 Ω /km @ 20 °C

AC withstand voltage (wire - wire) 6 kV @ 60 s

Power frequency withstand voltage (wire - jacket) 6 kV @ 60 s

Min. operating temperature (static) -50 °C

Max. operating temperature (fixed) 105 °C

Operating temperature min. (dynamic) -20 °C

Operating temperature max. (dynamic) 90 °C

Flame resistance UL 1581 § 1100 FT2 | IEC 60332-2-2 | UL 1581 § 1090

chemical resistance Good, application-related testing

Gasoline resistance Good, application-related testing

Oil resistance DIN EN 60811-404 | Good, application-related testing

Bending radius (fixed) 8 x Outer diameter

Bending radius (dynamic) 10 x Outer diameter

No. of bending cycles (C-track) 2 Mio.