

### Valve plug MDC06-4s with cable

PUR / PVC 2x1.5+1x2x0.5 bk 7.5m

Xtreme - Outdoor

Male straight

The resistance to aggressive media should be individually tested for your application. Further details on request.

Further cable lengths on request.

6 ... 32 V AC/DC

4-pole

Shielded

without components

without cable sleeves

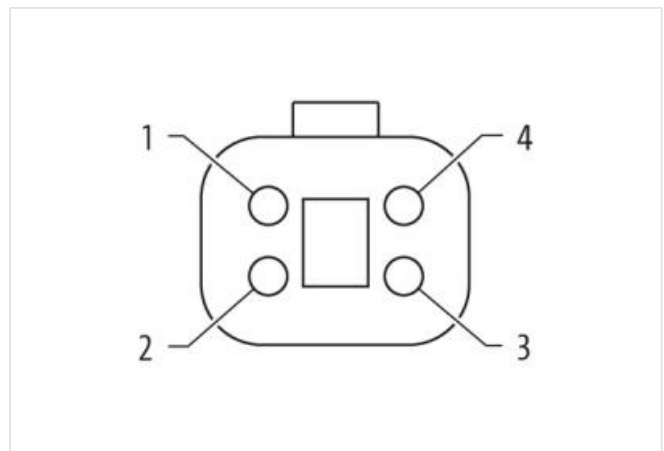
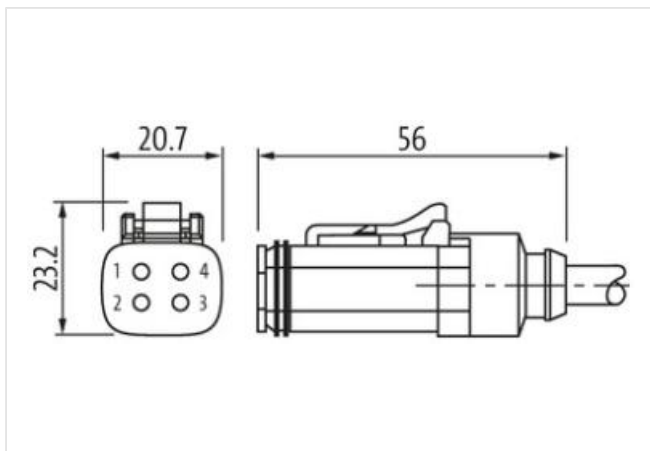
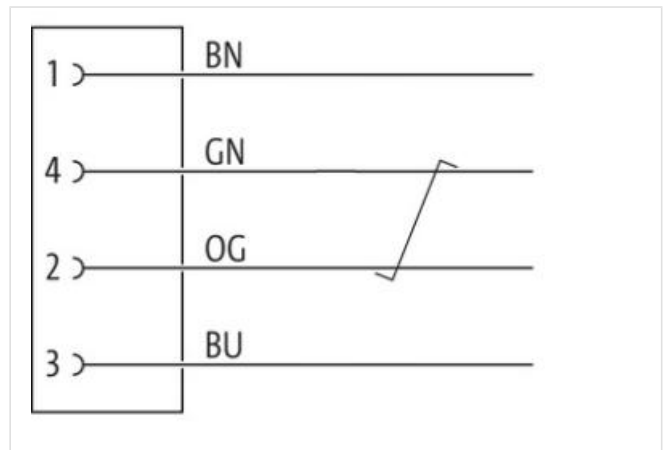
Compatible with:

Deutsch DT06-4S

Plastic housings with good resistance against chemicals and oils.

### [Link to Product](#)

#### Illustration



Product may differ from Image



|              |       |
|--------------|-------|
| Cable length | 7,5 m |
|--------------|-------|

**Side 1**

|   |               |
|---|---------------|
| Mounting method                           | inserted      |
| Coating contact                           | nickel plated |
| Family construction form                  | MDC           |
| suitable for corrugated tube (internal Ø) | 13 mm         |
| Material contact                          | Copper alloy  |
| No. of poles                              | 4             |

**Side 2**

|                           |       |
|---------------------------|-------|
| Stripping length (jacket) | 40 mm |
|---------------------------|-------|

**Commercial data**

|                       |               |
|-----------------------|---------------|
| ECLASS-6.0            | 27279218      |
| ECLASS-7.0            | 27279218      |
| ECLASS-8.0            | 27279218      |
| ECLASS-9.0            | 27060311      |
| ETIM-5.0              | EC001855      |
| customs tariff number | 85444290      |
| GTIN                  | 4065909047149 |
| Packaging unit        | 1             |

**Electrical data | Supply**

|                                    |      |
|------------------------------------|------|
| Operating voltage AC min.          | 6 V  |
| Operating voltage AC max.          | 32 V |
| Operating voltage DC min.          | 6 V  |
| Operating voltage DC max.          | 32 V |
| Current operating per contact max. | 4 A  |

**Diagnostics**

|                       |    |
|-----------------------|----|
| Status indication LED | no |
|-----------------------|----|

**Installation | Connection**

|                           |                  |
|---------------------------|------------------|
| Stripping length (jacket) | 40 mm            |
| Family construction form  | Amphenol AT06-4S |

**Device protection | Electrical**

|                                       |                    |
|---------------------------------------|--------------------|
| Degree of protection (ISO 20653:2013) | IP66K, IP68, IP69K |
| Pollution Degree                      | 2                  |
| Rated surge voltage                   | 0,8 kV             |
| Material group (IEC 60664-1)          | III                |
| Additional suppressor                 | without components |

**Mechanical data | Material data**

|                  |         |
|------------------|---------|
| Material gasket  | Silicon |
| Material housing | PA      |

**Mechanical data | Mounting data**

|                    |                   |
|--------------------|-------------------|
| Looking techniques | Snap-in connector |
|--------------------|-------------------|

**Environmental characteristics | Climatic**

|                            |        |
|----------------------------|--------|
| Operating temperature min. | -25 °C |
| Operating temperature max. | 85 °C  |

Additional condition temperature range depending on cable quality

#### Important installation notes

Note on strain relief Protect the connectors by suitable measures from mechanical loads, e.g. by the usage of cable ties.

Note on bending radius **Attention:** Observe the permissible bending radii when laying cables, as the IP protection class can be endangered by excessive bending forces.

#### Installation | Cable

|   |  |
|---|--|
| wire arrangement                                | brown, blue, gray, pink, white, black      |
| Cable identification                            | 260  |
| Jacket Color                                    | yellow                                     |
| Amount stranding                                | 1  |
| Stranding                                       | 2 wires twisted                            |
| Amount stranding (type 2)                       | 1  |
| Stranding (type 2)                              | 2 wires with Stranding combination twisted |
| Filler  | yes  |
| wire arrangement                                | brown, blue, gray, pink, white, black      |
| Cable weight                                    | 99 g/m                                     |
| Material jacket                                 | PUR  |
| Freedom from ingredients (jacket)               | lead-free, cadmium-free, CFC-free          |
| Outer-diameter (jacket)                         | 8,8 mm                                     |
| Tolerance outer diameter (sheath)               | ± 5 %                                      |
| Material inner jacket                           | PVC  |
| Color (inner jacket)                            | black                                      |
| Material wire insulation                        | PVC  |
| Amount wires                                    | 2  |
| Outer diameter insulation                       | 2,25 mm                                    |
| Outer diameter tolerance core insulation        | ± 5 %                                      |
| Ingredient freeness wire insulation             | lead-free, CFC-free                        |
| Amount strands (wire)                           | 84   |
| Diameter of single wires                        | 0,15 mm                                    |
| Conductor crosssection (wire)                   | 1,5 mm <sup>2</sup>                        |
| Material conductor wire                         | Stranded copper wire, bare                 |
| Conductor type (wire)                           | strand class 6                             |
| Material wire insulation (Data)                 | PP   |
| Outer diameter wire insulation (Data)           | 2 mm                                       |
| Tolerance outer diameter wire insulation (data) | ± 5 %                                      |
| Ingredient freeness wire insulation (Data)      | lead-free, CFC-free, halogen-free          |
| Amount wires (Data)                             | 2  |
| Amount strands wire (Data)                      | 16   |
| Diameter of single wires (Data)                 | 0,2 mm                                     |
| Conductor crosssection wire (Data)              | 0,5 mm <sup>2</sup>                        |
| Material conductor wire (Data)                  | Stranded copper wire, bare                 |
| Wire conductor type (Data)                      | Strand class 5                             |
| Nominal voltage AC max.                         | 60 V                                       |
| Current load capacity (standard)                | to DIN VDE 0298-4                          |
| Current load capacity min. wire                 | 14,4 A                                     |
| Current load capacity min. Wire (Data)          | 7,2 A                                      |
| Electrical resistance line constant wire        | 13,3 Ω/km @ 20 °C                          |
| Electrical resistance coating wire (Data)       | 40,1 Ω/km                                  |
| AC withstand voltage (wire - wire)              | 1 kV @ 60 s                                |
| Min. operating temperature (static)             | -40 °C                                     |
| Max. operating temperature (fixed)              | 80 °C                                      |
| Operating temperature min. (dynamic)            | -5 °C                                      |
| Operating temperature max. (dynamic)            | 80 °C                                      |

|                                 |  |
|---------------------------------|--|
| Flame resistance                | IEC 60332-2-2   UL 1581 § 1100 FT2   UL 1581 § 1090  |
| chemical resistance             | Good, application-related testing                    |
| Gasoline resistance             | Good, application-related testing                    |
| Oil resistance                  | DIN EN 60811-404   Good, application-related testing |
| Bending radius (installation)   | x Outer diameter                                     |
| Bending radius (fixed)          | x Outer diameter                                     |
| Bending radius (dynamic)        | 10 x Outer diameter                                  |
| No. of bending cycles (C-track) | 5 Mio.   |
| Traversing distance (C-track)   | 5 m   horizontal                                     |
| Travel speed (C-track)          | 3,3 m/s  |
| No. of torsion cycles           | Mio.   |
| Torsion speed                   | cycles/min   |