

**M12 Steel male 0° / M12 Steel female 90° A-cod.**

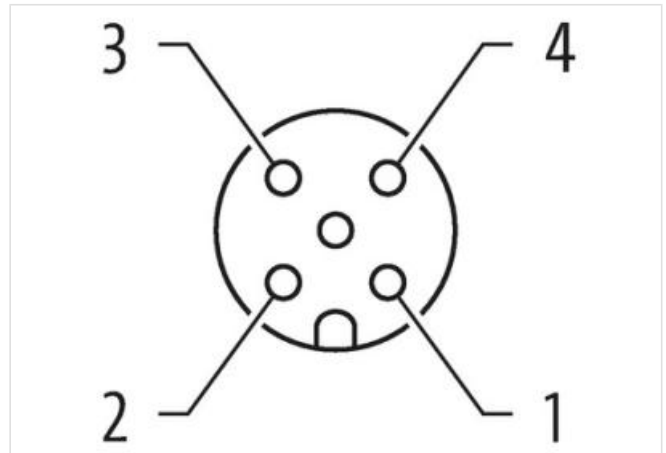
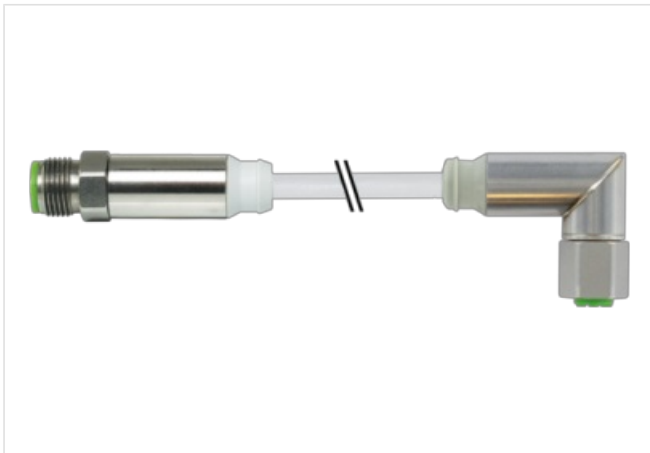
TPE-S 4x0.34 gy 2m

F&amp;B-Steel

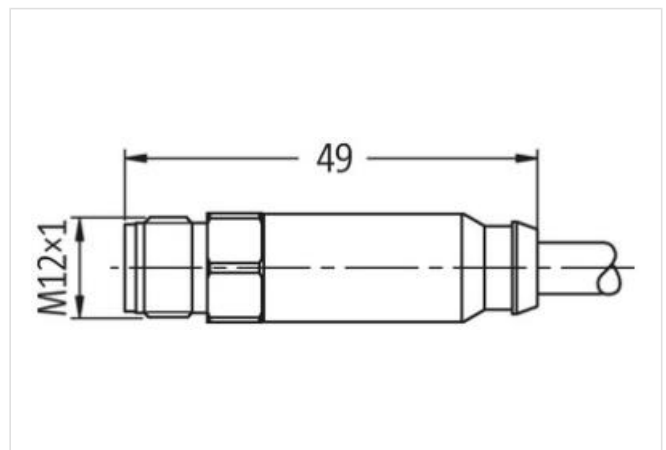
Male straight – female 90°

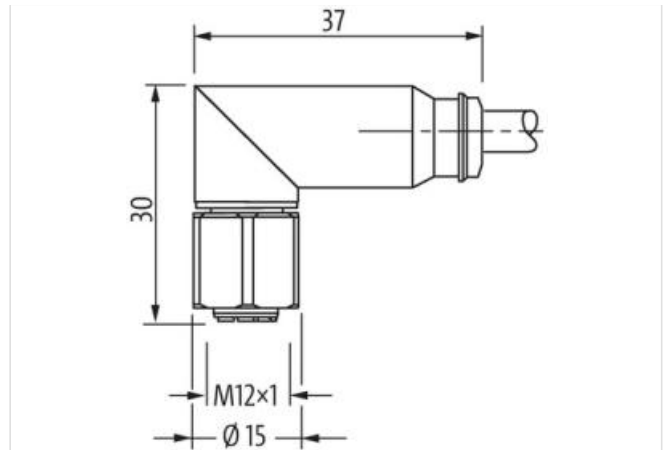
M12 – M12, 4-pole

Further cable lengths on request.

[Link to Product](#)**Illustration**

|   |    |   |
|---|----|---|
| 1 | BN | 1 |
| 2 | WH | 2 |
| 3 | BU | 3 |
| 4 | BK | 4 |





Product may differ from Image

|   |                                       |
|---|---------------------------------------|
| Cable length                                    | 2 m                                   |
| <b>Side 1</b>                                   |                                       |
| Tightening torque                               | 0,6 Nm                                |
| Family construction form                        | M12                                   |
| Thread  | M12 x 1                               |
| Degree of protection (EN IEC 60529)             | IP68, IP69K                           |
| <b>Side 2</b>                                   |                                       |
| Tightening torque                               | 0,6 Nm                                |
| Thread  | M12 x 1                               |
| <b>Commercial data</b>                          |                                       |
| ECLASS-6.0                                      | 27279218                              |
| ECLASS-6.1                                      | 27279218                              |
| ECLASS-7.0                                      | 27279218                              |
| ECLASS-8.0                                      | 27279218                              |
| ECLASS-9.0                                      | 27060311                              |
| ECLASS-10.1                                     | 27060311                              |
| ECLASS-11.1                                     | 27060311                              |
| ECLASS-12.0                                     | 27060311                              |
| ETIM-5.0  | EC001855                              |
| customs tariff number                           | 85444290                              |
| GTIN  | 4048879633802                         |
| Packaging unit                                  | 1                                     |
| <b>Electrical data   Supply</b>                 |                                       |
| Operating voltage AC max.                       | 32 V                                  |
| Operating voltage DC max.                       | 32 V                                  |
| Current operating per contact max.              | 4 A                                   |
| <b>Device protection   Electrical</b>           |                                       |
| Additional condition protection degree          | inserted, screwed                     |
| <b>Mechanical data   Material data</b>          |                                       |
| Locking material                                | Stainless steel 1.4404 (V4A)          |
| <b>Mechanical data   Mounting data</b>          |                                       |
| Mounting method                                 | inserted, screwed, Shaking protection |
| <b>Environmental characteristics   Climatic</b> |                                       |
| Operating temperature min.                      | -40 °C                                |
| Operating temperature max.                      | 85 °C                                 |

The information in this Product-PDF has been compiled with the utmost care.

Liability for the correctness completeness and topicality of the information is restricted to gross negligence. Version: 2024-06-25

Murrelektronik GmbH | Office Park 4, 4.OG/Top A.45 | 1300 Wien-Flughafen | Fon +43 1 706 45 25-0 | Fax +43 1 706 45 25-300 | shop@murrelektronik.at | shop.murrelektronik.at

Additional condition temperature range depending on cable quality

#### Important installation notes

Note on strain relief Protect the connectors by suitable measures from mechanical loads, e.g. by the usage of cable ties.

Note on bending radius **Attention:** Observe the permissible bending radii when laying cables, as the IP protection class can be endangered by excessive bending forces.

#### Installation | Cable

|   |  |
|---|--|
| wire arrangement                                  | brown, white, blue, black                            |
| Cable identification                              | 336  |
| Jacket Color                                      | gray   |
| Amount stranding                                  | 1  |
| Stranding   | 4 wires twisted                                      |
| wire arrangement                                  | brown, white, blue, black                            |
| Cable weight                                      | 43,01 g/m  |
| Material jacket                                   | TPE-S  |
| Shore hardness jacket                             | 80 ± 5 Shore A                                       |
| Outer-diameter (jacket)                           | 5,2 mm   |
| Tolerance outer diameter (sheath)                 | ± 5 %  |
| Material wire insulation                          | TPE-S  |
| Amount wires                                      | 4  |
| Outer diameter insulation                         | 1,5 mm   |
| Outer diameter tolerance core insulation          | ± 5 %  |
| Shore hardness wire insulation                    | 90 ± 5 Shore A                                       |
| Ingredient freeness wire insulation               | lead-free, cadmium-free, CFC-free, halogen-free      |
| Amount strands (wire)                             | 180  |
| Diameter of single wires                          | 0,05 mm  |
| Conductor crosssection (wire)                     | 0,34 mm <sup>2</sup>                                 |
| Material conductor wire                           | Stranded copper wire, bare                           |
| Conductor type (wire)                             | strand class 6                                       |
| Current load capacity (standard)                  | to DIN VDE 0298-4                                    |
| Current load capacity min. wire                   | 4,8 A  |
| Electrical resistance line constant wire          | 57 Ω/km @ 20 °C                                      |
| AC withstand voltage (wire - wire)                | 2,5 kV @ 60 s  |
| Power frequency withstand voltage (wire - jacket) | 2,5 kV @ 60 s  |
| Min. operating temperature (static)               | -50 °C   |
| Max. operating temperature (fixed)                | 125 °C   |
| Operating temperature min. (dynamic)              | -30 °C   |
| Operating temperature max. (dynamic)              | 105 °C   |
| Flame resistance                                  | UL 1581 § 1100 FT2   UL 1581 § 1090   IEC 60332-2-2  |
| chemical resistance                               | Good, application-related testing                    |
| Gasoline resistance                               | Good, application-related testing                    |
| Oil resistance                                    | DIN EN 60811-404   Good, application-related testing |
| Bending radius (fixed)                            | 10 x Outer diameter                                  |
| Bending radius (dynamic)                          | 15 x Outer diameter                                  |