

**MQ15 female 90° with cable 600V AC type 3**

PUR 4x2.5 bk UL/CSA+drag ch. 3m

MQ15, 4-pole

Female 90°

with cable sleeves

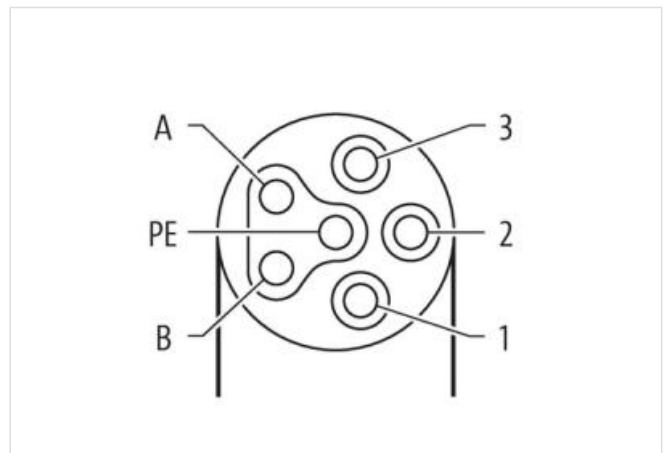
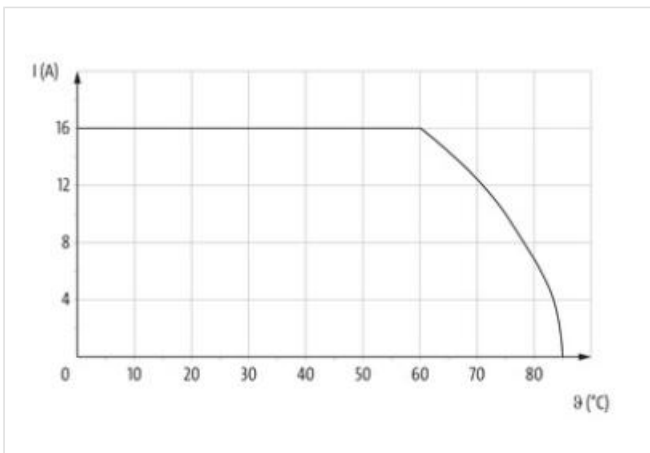
Plastic housings with good resistance against chemicals and oils.

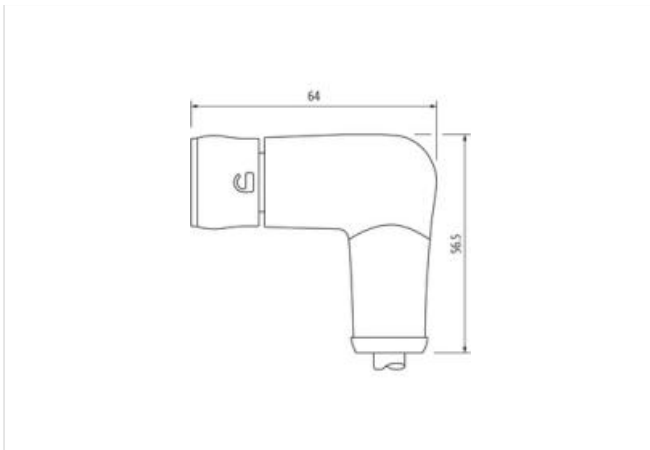
The resistance to aggressive media should be individually tested for your application. Further details on request.

Further cable lengths on request.

[Link to Product](#)

**Illustration**





Product may differ from Image



Cable length	3 m
--------------	-----

**Side 1**

Mounting method	inserted, locked
Coating contact	silver-plated
Family construction form	MQ15
suitable for corrugated tube (internal Ø)	18 mm
Cable outlet	angled
Coding	Type 3
Material contact	Copper alloy
No. of poles	4
Degree of protection (EN IEC 60529)	IP65, IP67

**Side 2**

Stripping length (jacket)	100 mm
---------------------------	--------

**Commercial data**

ECLASS-6.0	27279218
ECLASS-6.1	27279218
ECLASS-7.0	27279218
ECLASS-8.0	27279218
ECLASS-9.0	27060327
ECLASS-10.1	27060311
ECLASS-11.1	27060311
ECLASS-12.0	27060327
ETIM-5.0	EC001855
customs tariff number	85444290
GTIN	4065909061862
Packaging unit	1

**Electrical data | Supply**

Operating voltage AC max.	600 V
Current operating per contact max.	16 A

**Diagnostics**

Status indication LED	no
-----------------------	----

**Installation | Connection**

The information in this Product-PDF has been compiled with the utmost care.  
Liability for the correctness completeness and topicality of the information is restricted to gross negligence. Version: 2024-06-26

Stripping length (jacket) 100 mm

#### Installation | Pin assignment

Coding Type 3  
Configuration partly used

#### Device protection | Electrical

Additional condition protection degree inserted, locked  
Pollution Degree 3  
Rated surge voltage 6 kV  
Material group (IEC 60664-1) I

#### Mechanical data | Material data

Material housing PUR  
Material contact carrier PA  
Locking material POM

#### Mechanical data | Mounting data

Looking techniques bayonet-locking

#### Environmental characteristics | Climatic

Operating temperature min. -30 °C  
Operating temperature max. 85 °C  
Additional condition temperature range depending on cable quality

#### Important installation notes

Note on strain relief Protect the connectors by suitable measures from mechanical loads, e.g. by the usage of cable ties.  
Note on bending radius **Attention:** Observe the permissible bending radii when laying cables, as the IP protection class can be endangered by excessive bending forces.

#### Conformity

Product standard IEC 61076-2-116

#### Installation | Cable

wire arrangement green-yellow, black 3, black 2, black 1  
Cable identification P36  
Cable Type 3  
Printing color of wire insulation white (isolation black)  
Jacket Color black  
Type of Certificate cURus  
Amount stranding 1  
Stranding 4 wires twisted  
wire arrangement green-yellow, black 3, black 2, black 1  
Cable weight 201,3 g/m  
Material jacket PUR  
Shore hardness jacket 90 ± 5 Shore A  
Freedom from ingredients (jacket) lead-free, cadmium-free, CFC-free, halogen-free  
Outer-diameter (jacket) 8,7 mm  
Tolerance outer diameter (sheath) ± 5 %  
Material wire insulation PP  
Amount wires 4  
Outer diameter insulation 2,85 mm  
Outer diameter tolerance core insulation ± 5 %  
Shore hardness wire insulation 60 ± 5 Shore D  
Ingredient freeness wire insulation lead-free, cadmium-free, CFC-free, halogen-free, silicone-free  
Printing color of wire insulation white (isolation black)  
Amount strands (wire) 140  
Diameter of single wires 0,15 mm  
Conductor crosssection (wire) 2,5 mm<sup>2</sup>

Material conductor wire	Stranded copper wire, bare
Conductor type (wire)	strand class 6
Nominal voltage AC max.	1000 V
Current load capacity (standard)	to DIN VDE 0298-4
Current load capacity min. wire	20,8 A
Electrical resistance line constant wire	8 Ω/km @ 20 °C
AC withstand voltage (wire - wire)	10 kV @ 60 s
Power frequency withstand voltage (wire - jacket)	10 kV @ 60 s
Min. operating temperature (static)	-50 °C
Max. operating temperature (fixed)	80 °C / 90 °C @ 10000 h Operation
Operating temperature min. (dynamic)	-25 °C
Operating temperature max. (dynamic)	80 °C / 90 °C @ 10000 h Operation
UV resistance	DIN EN ISO 4892-2 A
Flame resistance	UL 1581 § 1100 FT2   IEC 60332-1-2   UL 1581 § 1090   IEC 60332-2-2
chemical resistance	Good, application-related testing
Gasoline resistance	Good, application-related testing
Oil resistance	DIN EN 60811-404
Bending radius (fixed)	5 x Outer diameter
Bending radius (dynamic)	10 x Outer diameter
No. of bending cycles (C-track)	5 Mio. @ 25 °C
Traversing distance (C-track)	5 m @ 25 °C
Travel speed (C-track)	3,3 m/s @ 25 °C
No. of torsion cycles	2 Mio.
Torsion stress	± 180 °/m
Torsion speed	35 cycles/min