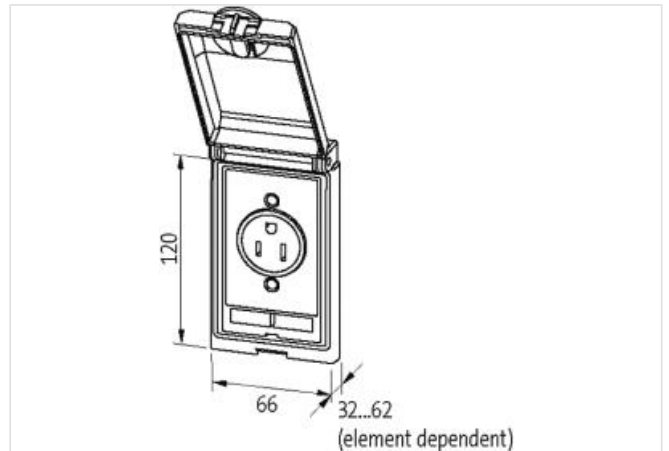


Modlink MSDD-set: Frame 4000-68112-0000000,

insert 4000-68000-1530000

Link to Product

Illustration



Product may differ from Image



Commercial data

| | |
|-------------|----------|
| ECLASS-6.0 | 27189217 |
| ECLASS-6.1 | 27189217 |
| ECLASS-7.0 | 27189217 |
| ECLASS-8.0 | 27189217 |
| ECLASS-9.0 | 27189217 |
| ECLASS-10.1 | 27182806 |
| ECLASS-11.1 | 27182806 |
| ECLASS-12.0 | 27182806 |

| | |
|---|-----------------------|
| ETIM-5.0 | EC002625 |
| customs tariff number | 85366990 |
| GTIN | 4048879036412 |
| Packaging unit | 1 |
| Frame | |
| Degree of protection (EN IEC 60529) | IP65 |
| Operating temperature min. | -10 °C |
| Operating temperature max. | 60 °C |
| Storage temperature min. | -25 °C |
| Storage temperature max. | 60 °C |
| Suitable for installation wall thickness min. | 1 mm |
| Suitable for installation wall thickness max. | 5 mm |
| Coating housing | KTL |
| Material housing | Fine zinc die casting |
| Shielding plate | |
| Connection information | Threaded hole M4 |
| Tightening torque | 0,9 Nm |
| USB | |
| Operating voltage AC | 48 V |
| Operating voltage DC | 48 V |
| Operating voltage AC max. (UL-listed) | 30 V |
| Operating voltage DC max. (UL-listed) | 42,4 V |
| Operating current | 1,5 A |
| USB specification | 3.0 |
| Data transmission rate max. | 5000 MBit/s |
| Looking techniques | Snap-in connector |
| RJ45 | |
| Operating voltage AC max. (UL-listed) | 30 V |
| Operating voltage DC max. (UL-listed) | 42,4 V |
| Current operating max. (UL) | 175 mA |
| Family construction form | RJ45 |
| Family type Back side | RJ45 |
| Cable category min. | Cat5e |
| Looking techniques | Snap-in connector |
| PS2 | |
| Connection cross section max. | 0,5 mm ² |
| AWG number max. | 20 |
| Operating voltage AC | 30 V |
| Operating voltage DC | 30 V |
| Operating current | 1 A |
| Family construction form | PS2 |
| Family type Back side | PS2 |
| Gender | female |
| Gender Rear | Lötanschluss |
| Looking techniques | Screw locking |
| No. of poles | 6 |