

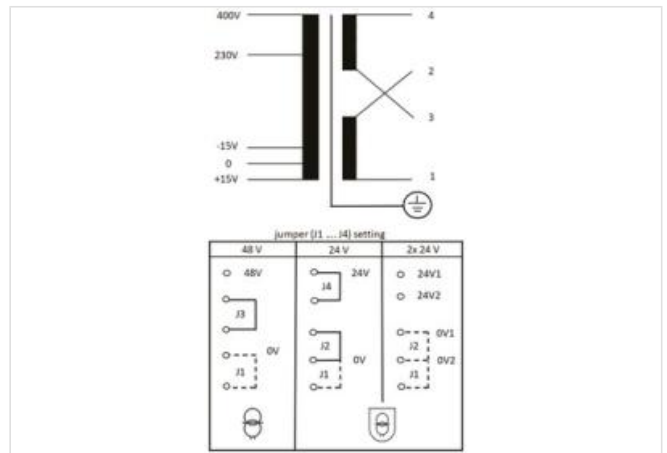
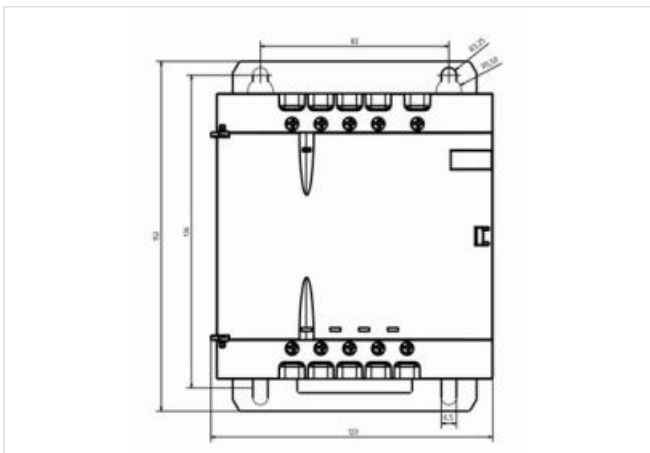
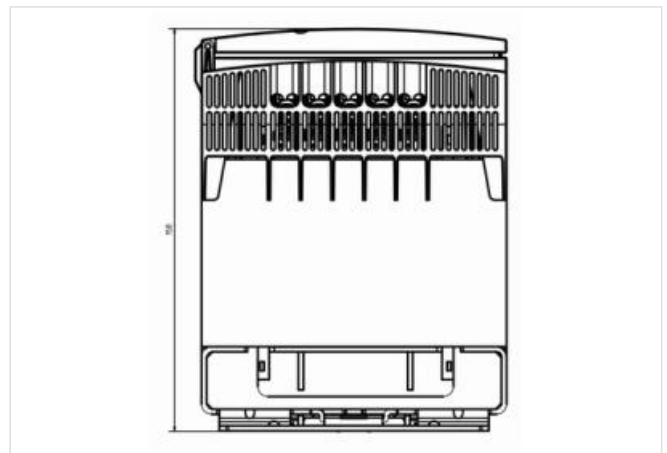
MTL 1-PHASE SAFETY TRANSFORMER

P: 320VA IN: 230/400VAC +/- 15VAC OUT: 2x24VAC

The MTL series comprises single-phase safety transformers/isolating transformers of the protection class I and protection degree IP20 with double insulation between the primary and secondary windings for general use in industrial applications.

Link to Product

Illustration



Product may differ from Image



Commercial data

ECLASS-6.0	27031302
ECLASS-7.0	27031302
ECLASS-8.0	27031302
ECLASS-9.0	27031302
ETIM-5.0	EC002486
customs tariff number	85043180
GTIN	4048879078290

Packaging unit 1

Electrical data | Supply

Power frequency 50 ... 60 Hz

Electrical data | Input

Input voltage 1 AC 230 V

Input voltage 1 AC min. 195,5 V

Input voltage 1 AC max. 264,5 V

Input voltage 2 AC 400 V

Input voltage 2 AC min. 340 V

Input voltage 2 AC max. 460 V

Input current at input voltage 1 AC 1,62 A

Input current at input voltage 2 AC 0,94 A

Inrush current at input voltage 1 13,1 A

Inrush current at input voltage 2 7,57 A

Short-circuit current at input voltage 1 34,2 A

Short-circuit current at input voltage 2 19,7 A

Electrical data | Output

Output voltage 1 × 24 / 1 × 48 / 2 × 24 V AC

Output voltage AC 1 48 V

Output voltage AC 2 24 V

Output voltage adjustable yes

Power rating AC max. 320 VA

Diagnostics

Status indication LED green

Device protection | Electrical

Insulation test voltage input - output 5,1 kV

Mechanical data | Mounting data

Suitable for mounting type Schlüssellochauhängung

Mounting dimension a 136 mm

Mounting dimension b 82 mm

Mounting dimension c 6,5 mm

Height 153 mm

Width 123 mm

Depth 160 mm

Diameter bore 6,5 mm

Length bore 11 mm

Environmental characteristics | Climatic

Operating temperature min. -20 °C

Operating temperature max. 60 °C

Conformity

Product standard EN 61558-2-4, EN 61558-2-6, EN 62041 category 0

Connection type 2

Connection type 1 Input

Connection type 2 Output

Connection Screw terminals SK

Family construction form terminal

Gender female

No. of poles 5

PIN 1 + 15 V

PIN 3 - 15 V

PIN 4 230 V

PIN 5	400 V
Connection	Screw terminals SK
Family construction form	terminal
Gender	female
No. of poles	5
PIN 1	PE
PIN 2	1
PIN 3	2
PIN 4	3
PIN 5	4