

**MPL POWER SUPPLY 3-PHASE, SMOOTHED**

IN: 400VAC+/- 5% OUT: 24V/5ADC

Current: 5 A

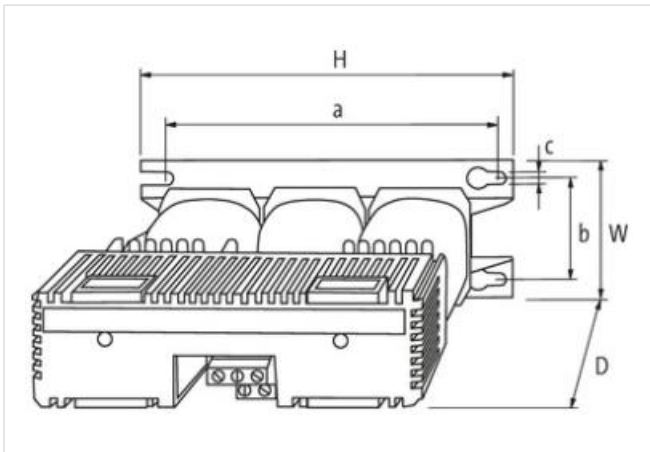
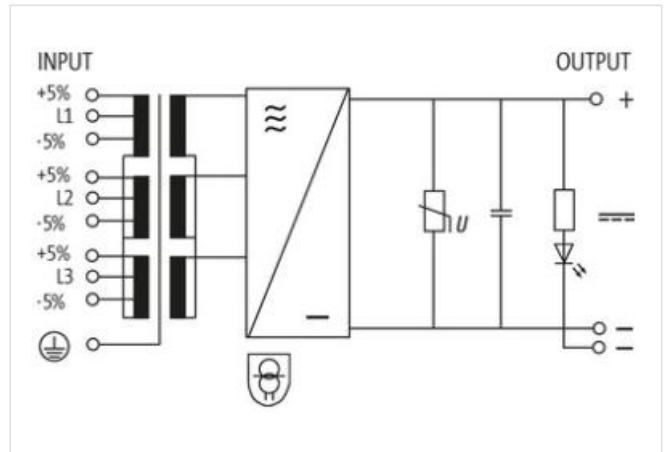
Output rating: 120 W

This power supply units meet the (EN 61000-3-2) standard for harmonic current.

Any mounting position on vertical wall, condensation not permissible

[Link to Product](#)

**Illustration**



Product may differ from Image



**Commercial data**

ECLASS-6.0	27049002
ECLASS-6.1	27049002
ECLASS-7.0	27049002
ECLASS-8.0	27049002
ECLASS-9.0	27040701
ECLASS-10.1	27040701

ECLASS-11.1	27040701
ECLASS-12.0	27040701
ETIM-5.0	EC002540
customs tariff number	85044095
GTIN	4048879079273
Packaging unit	1

**Electrical data**

Security level	SELV
----------------	------

**Electrical data | Supply**

Power frequency	50 ... 60 Hz
-----------------	--------------

**Electrical data | Input**

Fuse protection 1 primary side external	0,4 A
Characteristic back-up fuse	Inertia
Input voltage AC	400 V
Input voltage AC min.	380 V
Input voltage AC max.	420 V
Current input AC	0,3 A
Phase number input	3
Efficiency	72 %

**Electrical data | Output**

Fuse protection secondary side external	5 A
Output suppression	LED, Screening capacitor, VDR
Output voltage DC	24 V
Output voltage adjustable	no
Output current max.	5 A
Characteristic secondary fuse	Inertia
Ripple max.	2 %

**Mechanical data | Mounting data**

Suitable for mounting type	Schlüssellochauhängung
Mounting dimension a	100 mm
Mounting dimension b	55 mm
Mounting dimension c	5 mm
Height	125 mm
Width	71 mm
Depth	153 mm

**Environmental characteristics | Climatic**

Operating temperature min.	-20 °C
Operating temperature max.	55 °C

**Conformity**

Product standard	EN 61558-2-6, EN 62041 category I
EMC	EN 55011 B, EN 61000-3-2