

**MDD DC/DC-CONVERTOR SWITCH MODE**

IN: 24VDC OUT: 24V/0,3ADC

INPUT: 24 V DC

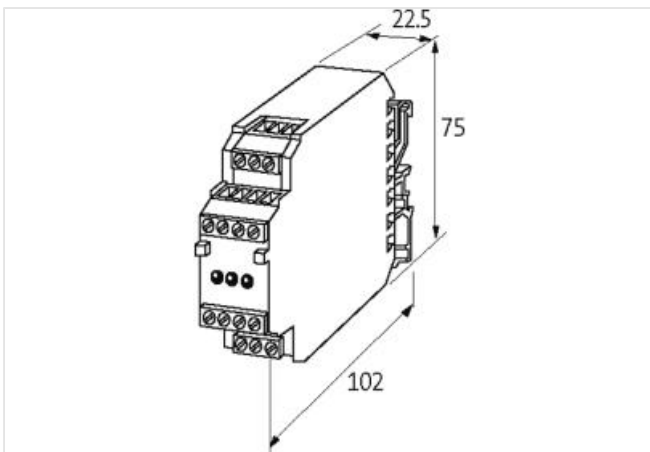
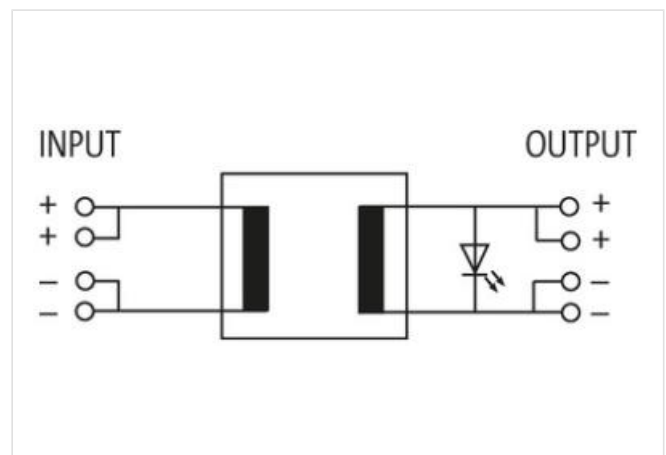
OUTPUT: 24 V DC

Output rating: 7 W

Current: 0.3 A

Condensation not permitted

Restart after overload by removing supply voltage

[Link to Product](#)**Illustration**

Product may differ from Image

**Commercial data**

ECLASS-6.0	27210901
ECLASS-6.1	27210901
ECLASS-7.0	27210901
ECLASS-8.0	27210901

ECLASS-9.0	27210901
ECLASS-10.1	27210901
ECLASS-11.1	27210901
ECLASS-12.0	27210901
ETIM-5.0	EC002540
customs tariff number	85043121
GTIN	4048879079556
Packaging unit	1

#### Electrical data

Security level	SELV
----------------	------

#### Electrical data | Input

Fuse protection primary side internal	1,5 A
Characteristic back-up fuse	Inertia
Input voltage DC	24 V
Current input AC	0,6 A

#### Electrical data | Output

Output voltage DC	24 V
Output voltage DC min.	23,52 V
Output voltage DC max.	24,48 V
Output voltage adjustable	no
Output current max.	0,3 A
Ripple max.	0,2 %

#### Device protection | Electrical

Overload resistant	yes
Short-circuit protected	yes
Insulation test voltage input - output	4 kV

#### Mechanical data | Mounting data

Mounting method	geschnappt
Suitable for mounting type	Mounting rail TH35, G32, (EN 60715)

#### Environmental characteristics | Climatic

Operating temperature min.	0 °C
Operating temperature max.	50 °C

#### Conformity

Low Voltage Directive	EN 61204-3
-----------------------	------------

#### Connection type 1

Connection type 1	Output
Connection	Screw terminals SK
Family construction form	terminal
Gender	female
No. of poles	4
PIN 1	+
PIN 2	+
PIN 3	-
PIN 4	-