

Xenterra 5TX unmanaged Switch 5 Port 100Mbit

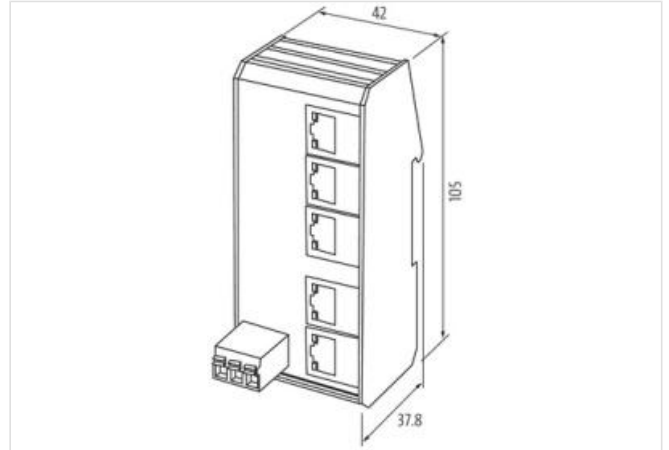
5 port unmanaged switch
 DIN-rail mountable TH35 (EN 60715)
 Connection cables are in the online shop under "Connection Technology".

[Link to Product](#)

Illustration



Product may differ from Image



Commercial data

ECLASS-6.0	19170106
ECLASS-6.1	19170106
ECLASS-7.0	19170106
ECLASS-8.0	19170106
ECLASS-9.0	19170402
ECLASS-10.1	19170402
ECLASS-11.1	19170402
ECLASS-12.0	19170402
ETIM-5.0	EC000734
customs tariff number	85176200
GTIN	4048879829946
Packaging unit	1

Electrical data | Supply

Operating voltage AC min.	8 V
Operating voltage AC max.	28 V
Operating voltage DC min.	9 V
Operating voltage DC max.	36 V

Industrial communication

Data transmission rate max.	100 MBit/s
-----------------------------	------------

Industrial communication | Ethernet functionality

Auto-crossover	yes
Auto-negotiation	yes

duplex	Full duplex
Switch type	unmanaged
VLAN unmanaged (IEEE 802.1Q)	yes
Diagnostics	
Alarm contact	no
Diagnostic	No voltage
LED display	Ethernet connection/data traffic
Device protection Electrical	
Degree of protection (EN IEC 60529)	IP20
Invers-polarity protection	yes
Over voltage protection	yes
Mechanical data Material data	
Color housing	black
Material housing	Metal
Mechanical data Mounting data	
Mounting method	geschnappt
Suitable for mounting type	Mounting rail TH35, (EN 60715)
Height	105 mm
Width	42 mm
Depth	32,5 mm
Environmental characteristics Climatic	
Operating temperature min.	-40 °C
Operating temperature max.	70 °C
Storage temperature min.	-40 °C
Storage temperature max.	85 °C
Connection type 1	
Connection type 1	5
Family construction form	RJ45
Gender	female
Color contact carrier	black
No. of poles	8
PIN 1	TD +
PIN 2	TD -
PIN 3	RD +
PIN 4	n.c.
PIN 5	n.c.
PIN 6	RD -
PIN 7	n.c.
PIN 8	n.c.